



Operation Manual
Skimbox

Surface suction for pumps to 2000 l/h

With the purchase of this Skimbox you have selected a top quality product. It has been specifically designed for aquaristic purposes and has been tested by professionals.

With this unit you are able to prevent the formation of a „film“ at the water surface.

1. Working principle

A pump with a promoting performance to 2000 l/h (not included) must be attached to the Skimbox. We recommend our PF 1000 which can be connected directly to the Skimbox without any adapters. Connect the unit with the rubber suckers to the tank, the water level should be in the middle of the box. With the help of the regulator the relationship can be adjusted between surface suction and water quantity drawn in below.

2. Equipment

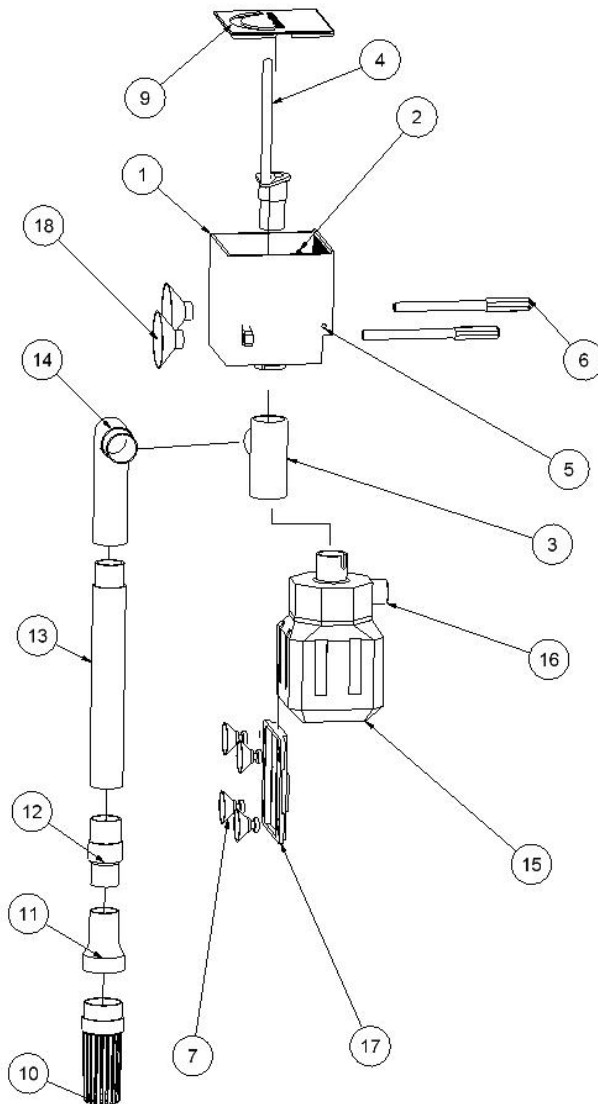


Fig. 1

| | | |
|-----------------|-----------------------------|---|
| 1. Overflow box | 6. Screw for Rubber suckers | 7./15. – 17. Pump PF 1000 (not included) |
| 2. Float switch | 9. Cover | 18. Rubber Sucker |
| 3. Tee-Piece | 10. - 11. Filter basket | 19. Adapter |
| 4. Regulator | 12. - 13. Piping | 20. Pump PH 2000 (not included) |
| 5. Ceramic axle | 14. Elbow | |

As a pump we recommend the AB Aqua Medic **PF 1000** or with adapter (Fig. 2 No. 19) the **PH 2000**.

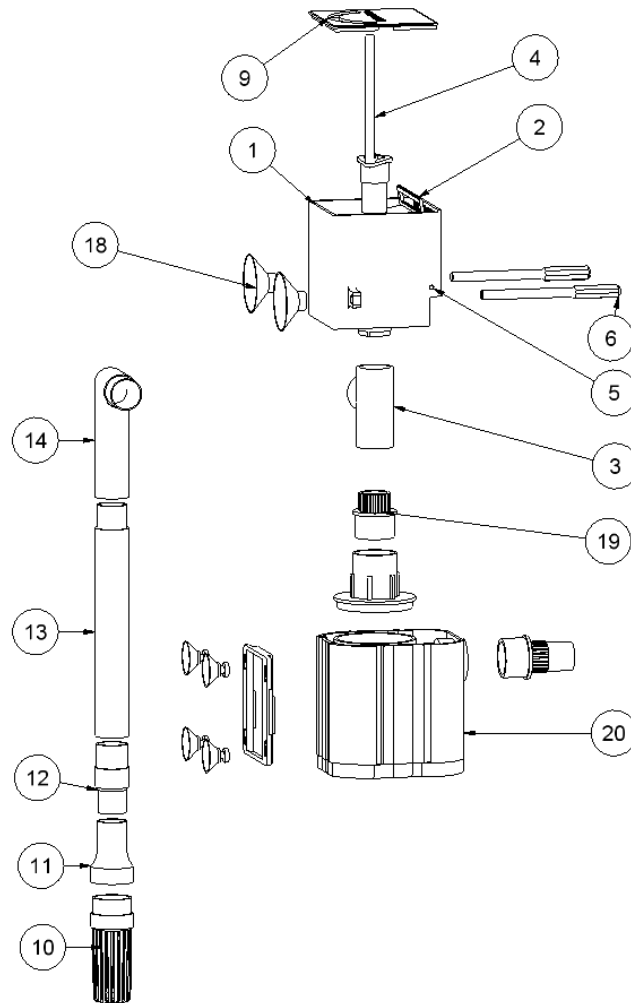


Fig. 2 Skimbox with PH-pump (not included) and adapter (No. 19)

3. Failures

The water-level mustn't sway too strongly. The gratings of the box as well as the filter basket must be cleaned regularly.

4. Warranty

This product is warranted for 12 months after date of purchase on material and production faults by AB Aqua Medic GmbH. Warranty only by proof of purchase by the original invoice. Our obligation under this warranty is limited to the free of charge repair or replacement of the unit (excluding freight costs). In case of problems please contact your AB Aqua Medic GmbH dealer. This warranty will not apply to units that were improperly installed, misapplied or modified by non-authorized institutions.

AB Aqua Medic GmbH is not liable for any consequential damages caused by the use of the product.